

handout

Seed Copter



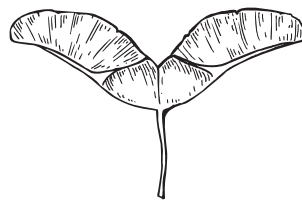
Exploring your world,
one mission at a time
pbskids.org/plumlanding

What Is This Activity?

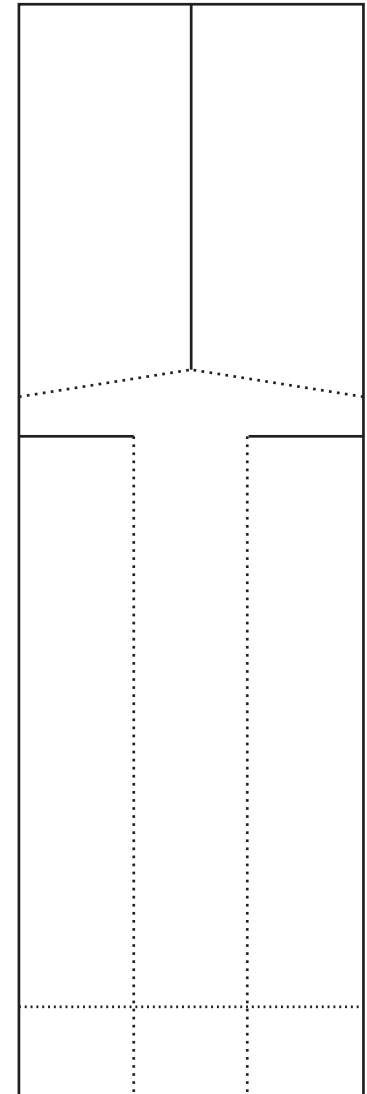
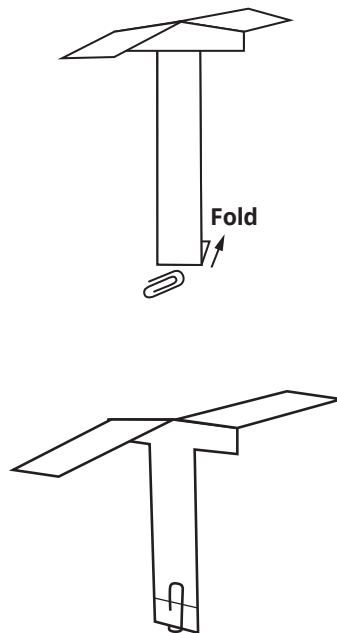
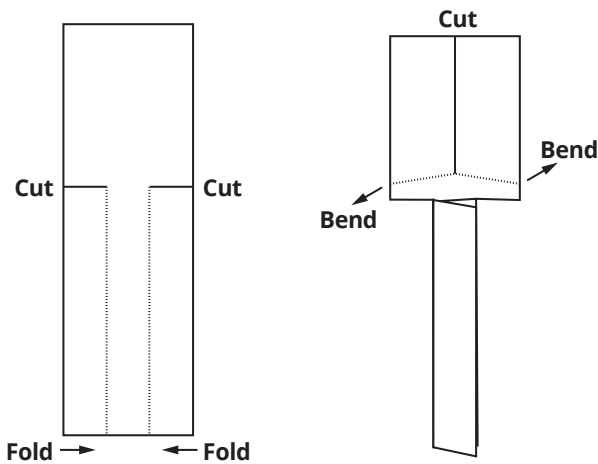
How do plants spread their seeds? Make and test a model of “winged” seed pods that twirl and float like a helicopter!

Big Science Idea: Plants can't move on their own. They depend on wind, water, animals, and explosive force to take their seeds to new places where they can sprout and grow.

1. Cut on the SOLID lines.
2. Fold on the DOTTED lines. Fold one seed wing forward and the other backward. Fold the two side flaps on the bottom into the center.
3. Fold the bottom flap up and add a paper clip to keep it in place.
4. To launch, hold the copter by the paper clip and drop it.



Maple Seed



Activity Time

15 minutes

Materials

- Scissors
- Small paper clip



CONNECT WITH US



PLUM LANDING is produced
by WGBH Boston

MAJOR FUNDING



THE
Kendeda
FUND

Major Funding is provided by the National Science
Foundation and The Kendeda Fund: furthering the
values that contribute to a healthy planet